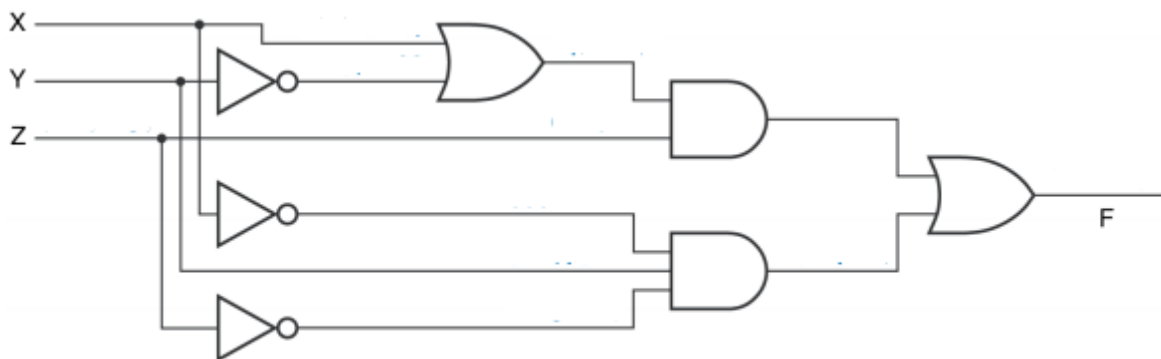
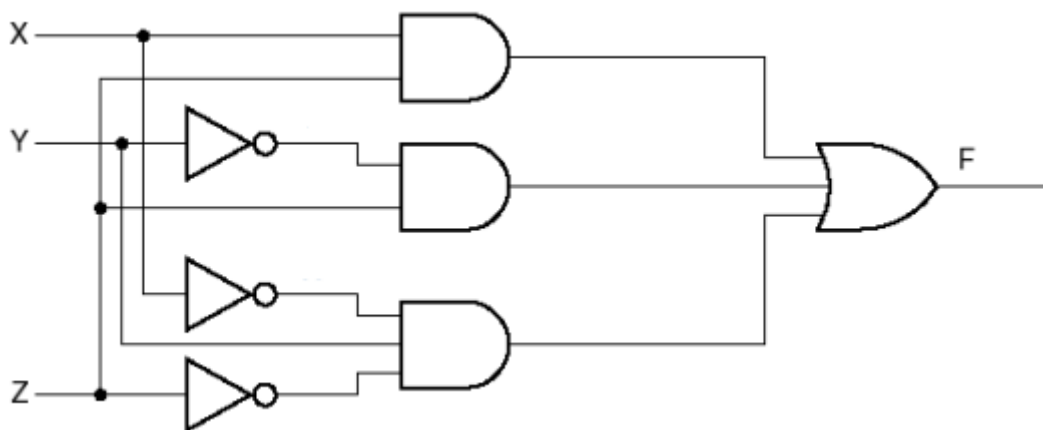


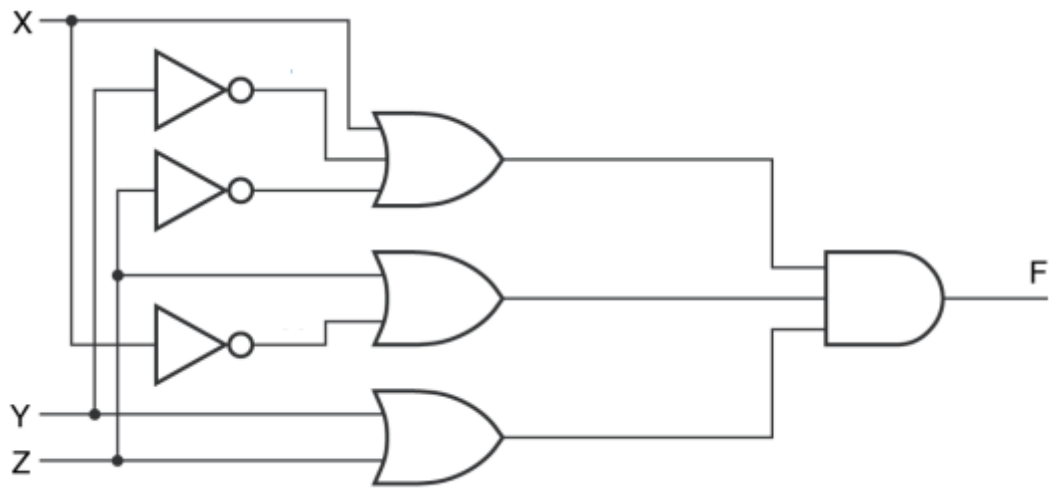
Combinational Circuit Analysis

- 1) A. Implement the circuit given below using Y-0016/002D board. Fill the truth table using logic switches and LED outputs.
- B. Obtain the function F algebraically and verify your experimental results.



- 2) Implement the circuits given below and demonstrate that those circuits are equivalent with the circuit given in the first question. (Demonstrate both experimentally and algebraically)





- 3) Reduce the circuit given below into its simplest form, and demonstrate that those two circuits are equivalent

