

EXPERIMENT: 1.1

EXAMINATION OF OHM'S LAW

EXPERIMENTAL PROCEDURE:

Plug the Y-0016/002 module. Make the circuit connections as in figure 1.

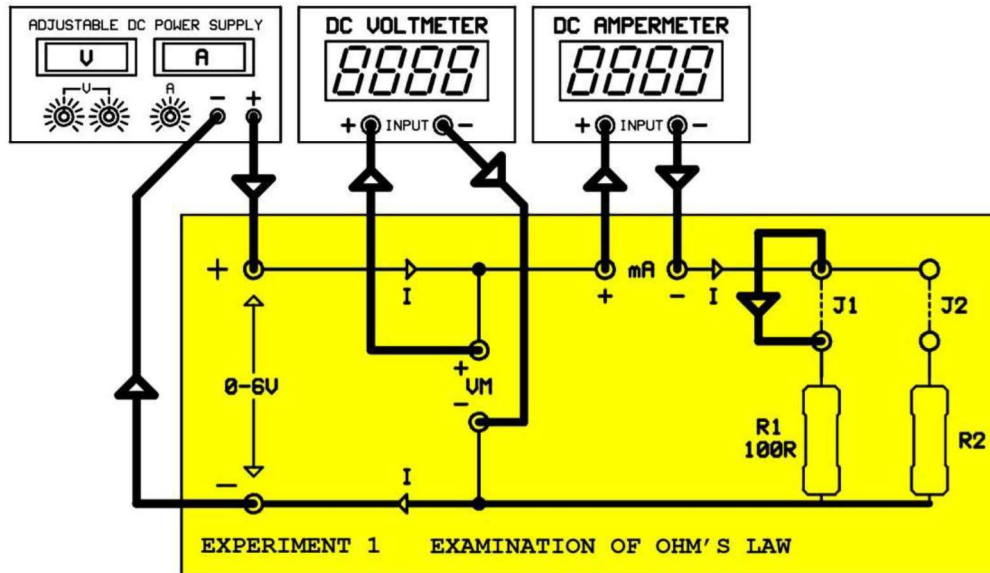


Figure 1

Adjust the power supply's voltage potentiometers to minimum (**to left**), and the current potentiometers to maximum (**to right**). Apply the power to the circuit.

1- Adjust the power to the values in Table 3 and write the current values at every stage respectively.

NUMBER	E (VOLT)	I (mA)	V / A
1	1.0	10	100
2	2.0		
3	3.0		
4	4.0		
5	5.0		
6	6.0		

Table 3

2- Calculate the V/A ratio at every step and write them to the Table 3. What is this value (**100**) which is the same at every stage?

--

3- Cut the power of circuit and open the J1 short circuit. This time short circuit J2. Calculate the mathematical value of R2 resistance.

--

NOTE=This experiment can be repeated with various voltage levels below 6,0Volt.