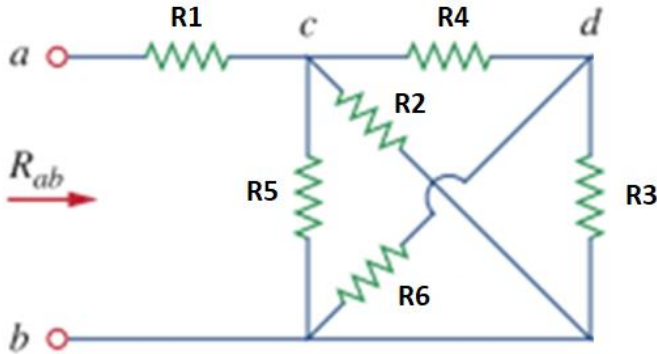








Experiment - Mixed Configuration

Design the following resistor configuration using Y-0016/003 module.



 R1 1K	 R2 2K	 R3 10K
 R4 1K	 R5 2K	 R6 10K

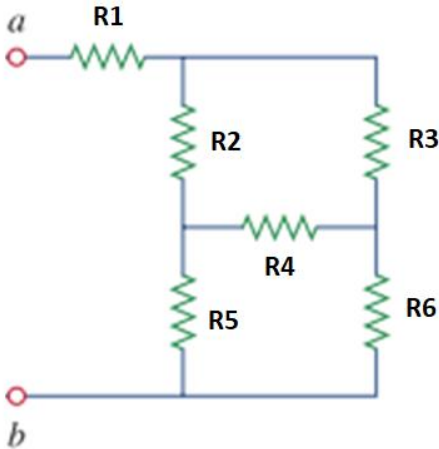
RESISTOR CONNECTIONS


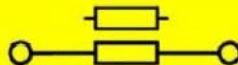


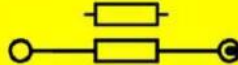
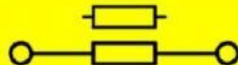
EXPERIMENT

- a. Write the value of resistance displayed by Ohmmeter
- b. Calculate the equal resistance (R_{ab}).

Experiment - Delta-Y Configuration

Design the following resistor configuration using Y-0016/003 module.



 R1 1K	 R2 2K	 R3 10K
 R4 1K	 R5 2K	 R6 10K

EXPERIMENT RESISTOR CONNECTIONS

- a. Write the value of resistance displayed by Ohmmeter
- b. Calculate the equal resistance (R_{ab}).