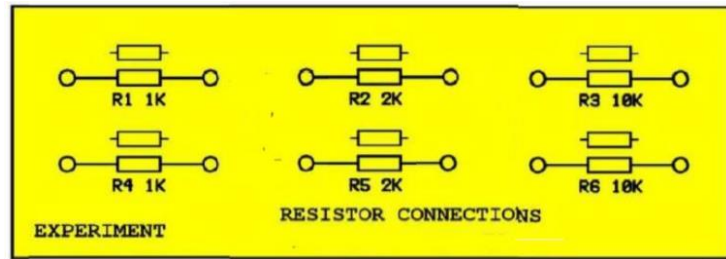
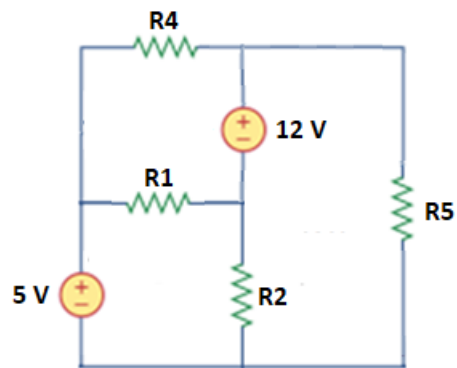


## Experiment 4./G1 – Nodal Analysis with Supernode

Design the given circuit configuration using Y-0016/003 module.



- Implement the given circuit and measure the node voltages  $v_1, v_2, \dots, v_n$ .
- Calculate the node voltages using nodal analysis and compare the results.