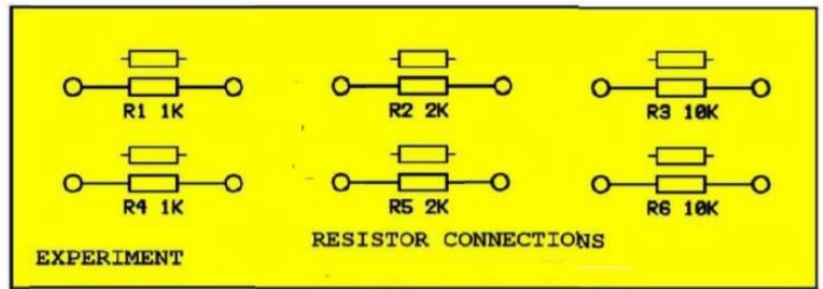
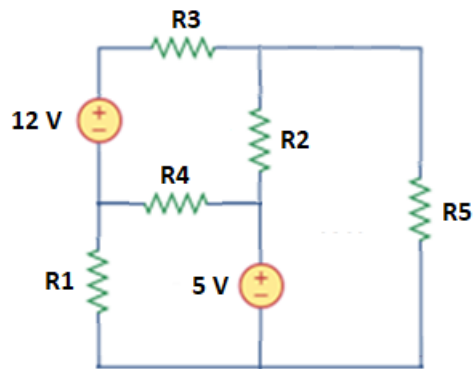


Experiment 5./G1 – Mesh Analysis

Design the given circuit configuration using Y-0016/003 module.



- Implement the given circuit and measure the mesh currents i_1, i_2, \dots, i_n .
- Calculate the mesh currents using mesh analysis and compare the results.