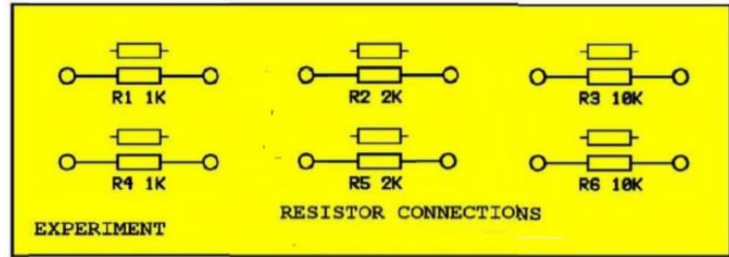
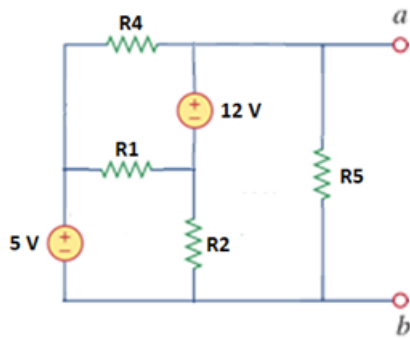


Experiment 7./G1 – Thevenin Theorem

Design the given circuit configuration using **Y-0016/003** module.



1. Implement the given circuit and measure the voltage V_{ab} .

$V_{ab} =$

2. First disconnect the voltage sources and then short circuit the source terminal points with a jumper in the circuit and measure the resistance using ohmmeter.

$R_{ab} =$

3. Find the thevenin equivalent circuit and compare the results with above.

4. Connect **R6** resistor as load to the circuit and measure the voltage V_L . Calculate the voltage V_L using Thevenin equivalent circuit and compare the results.

