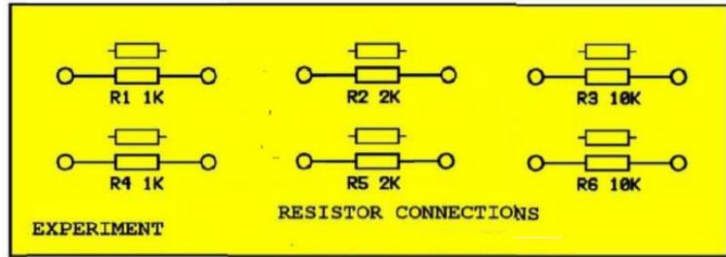
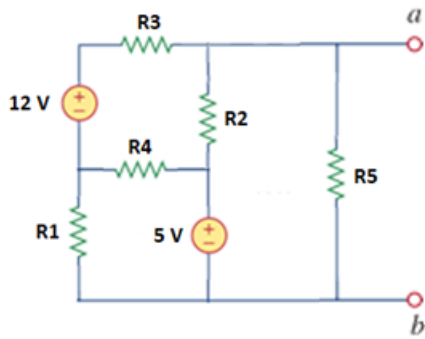


Experiment 8./G1 – Norton Theorem

Design the given circuit configuration using **Y-0016/003** module.



1. Implement the given circuit and then short circuit terminal a-b. Measure the short circuit current i_{ab} .

$i_{ab} =$

2. First disconnect the voltage sources and then short circuit the source terminal points with a jumper in the circuit and measure the resistance using ohmmeter.

$R_{ab} =$

3. Find the Norton equivalent circuit and compare the results with above.

4. Connect **R6** resistor as load to the circuit and measure the current i_L . Calculate the current i_L using Norton equivalent circuit and compare the results.

