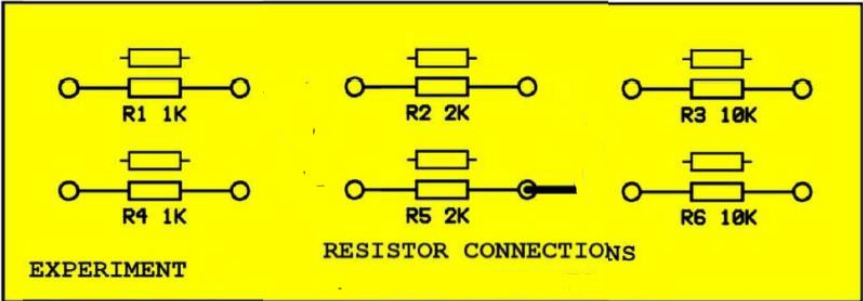
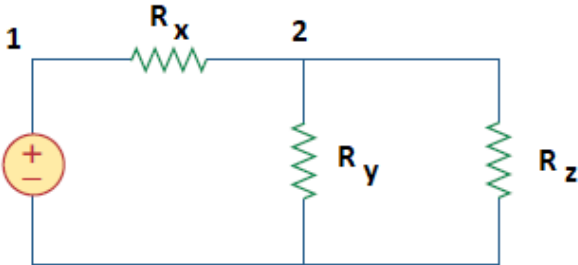


### Experiment 3.3 – Nodal Analysis without Supernode

Design the following circuit configuration using Y-0016/003 module.



a. Calculate the currents  $i_x$ ,  $i_y$  and  $i_z$  using nodal analysis.

b. Measure the currents  $i_x$ ,  $i_y$  and  $i_z$  using Ampermeter.