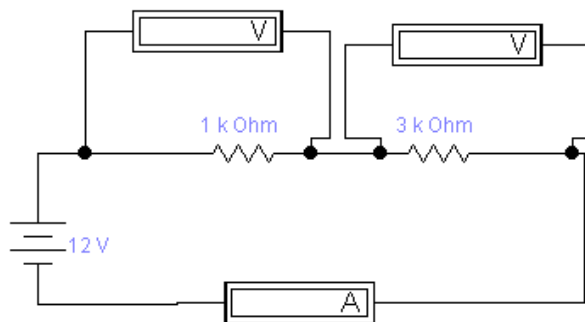


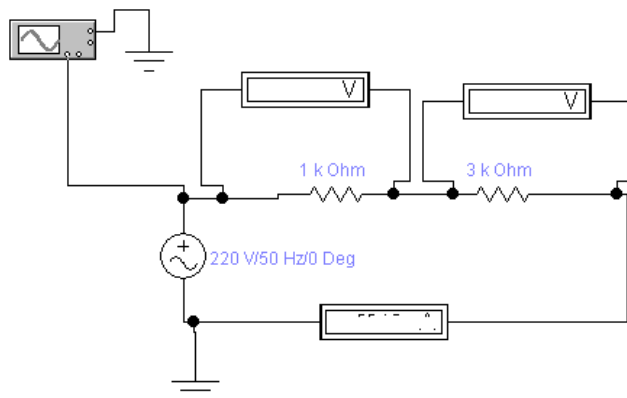
## WORKSHEET -2

### A) DC CIRCUIT

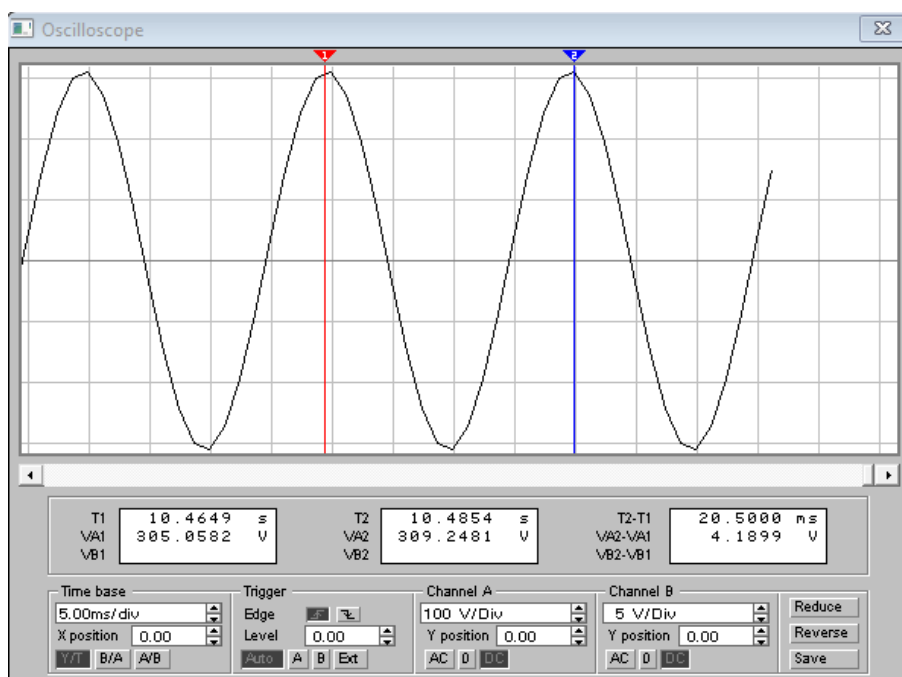


Measured	Calculated
I= (ammeter)	$I = \epsilon / R_{total}$
V1= V2= (voltmeter)	V1+V2=

### B) AC CIRCUIT



Measured	Calculated
I= (ammeter)	$I = \epsilon / R_{total}$
V1= V2= (voltmeter)	V1+V2=



VA1=

VB1=

T2-T1=

Time/div=

Volt/div=